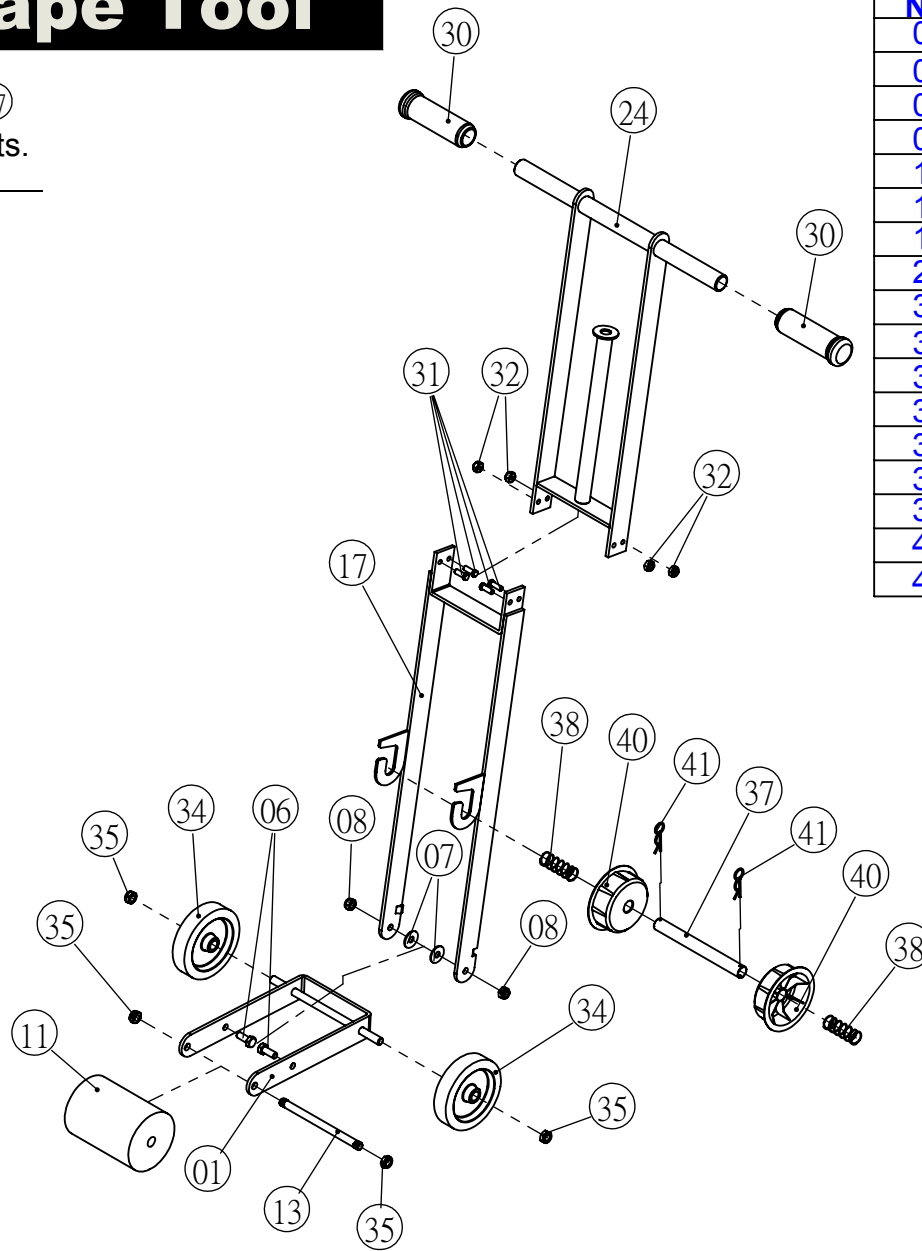
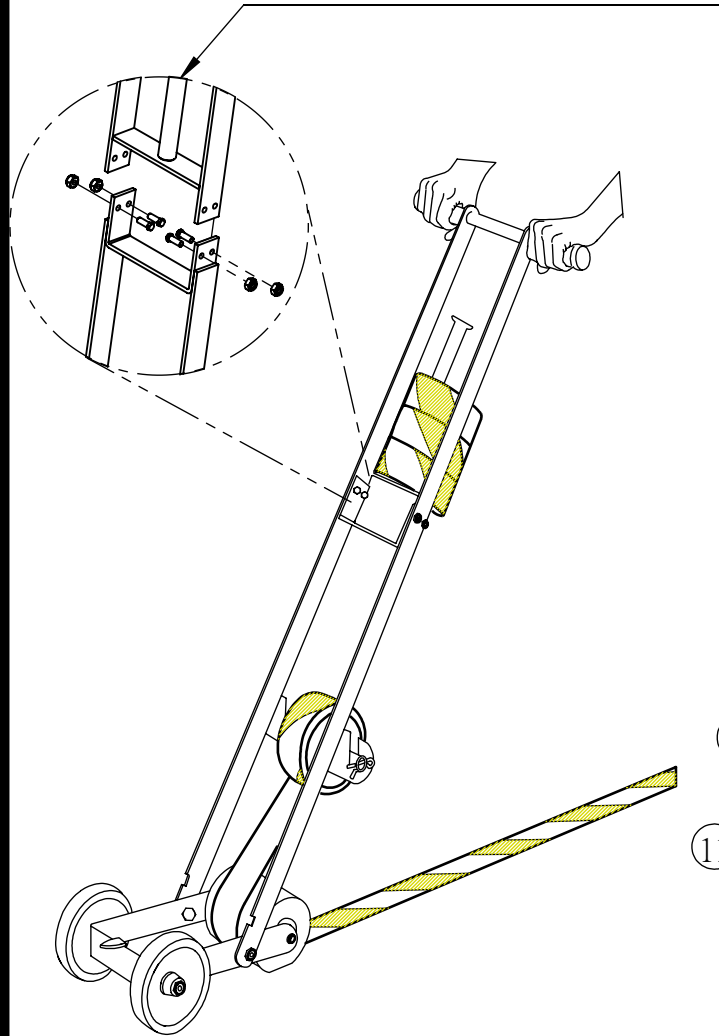


Floor Marking Tape Tool

Install ②④ handle assembly to ①⑦ body with ③① screws and ③② nuts.



Part No.	Part Name	QTY
01	Roller Assembly	1
06	Screw	2
07	Washer	2
08	Nut	2
11	Roller	1
13	Roller Shaft	1
17	Body	1
24	Handle Assembly	1
30	Grip	2
31	Screw	4
32	Nut	4
34	Wheel	2
35	Nut	4
37	Holder Shaft	1
38	Spring	2
40	Tape Holder	2
41	R Pin	2

Manutan,
 ZAC des tulipes Avenue
 du 21e siècle 95506
 Gonesse FRANCE
 TEL : 01 34 53 35 35
 FAX : 01 39 85 31 32
 info@manutan.fr
 www.manutan.fr

A266082

Keep tool well oiled and clean. Please order parts by number and name.